

## Module 6: Using water well

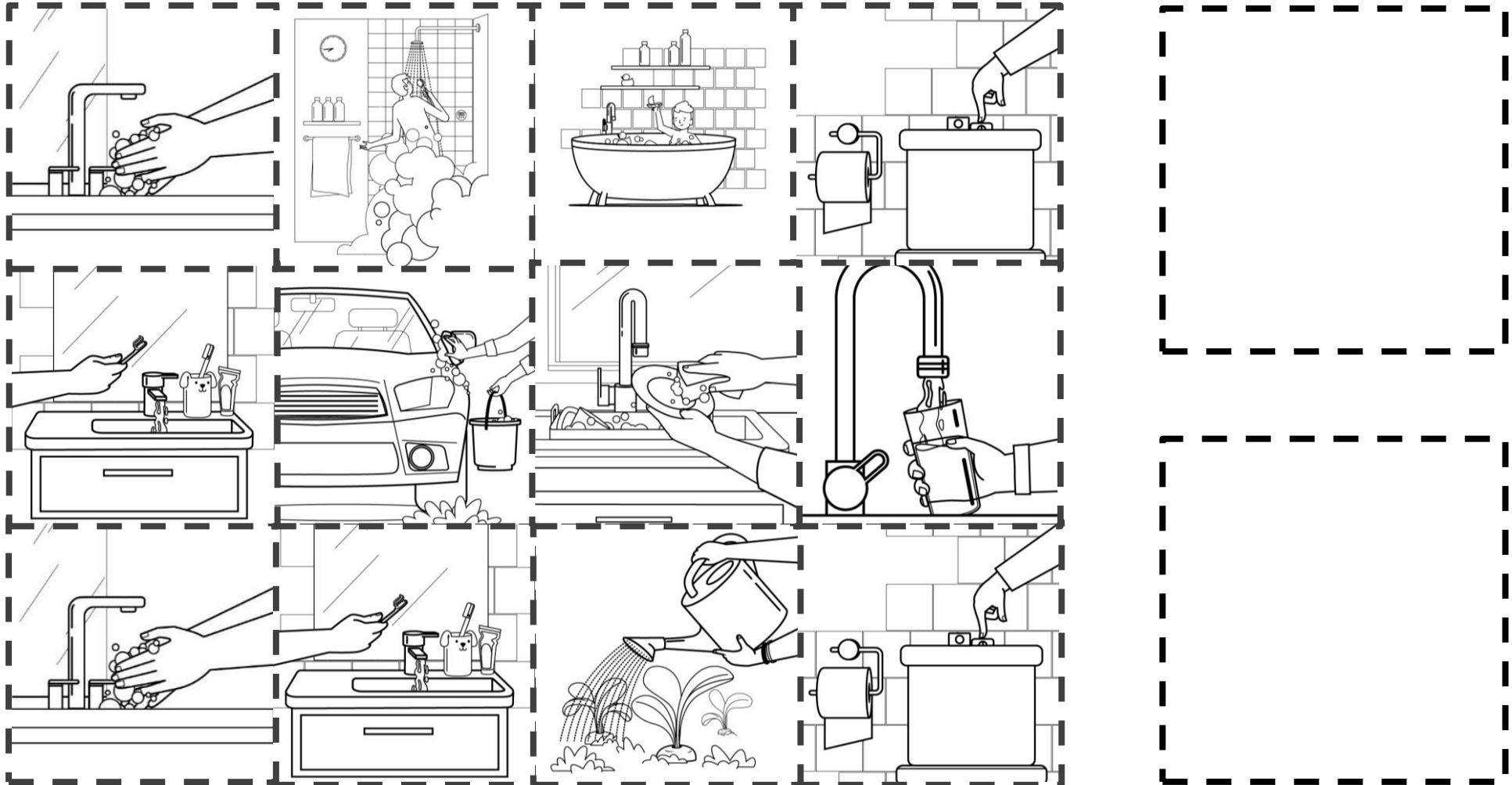
### Exploring how we use and save water every day

- [My water timeline](#)
- [Think, pair, share](#)
- [How do you use water in your home colouring sheets](#)
- [My water savings plan](#)
- [Which saves water colouring sheets](#)
- [School mini water audit](#)
- [Home water audit](#)
- [Water droplets](#)



# My water timeline

Draw, colour and cut out ways you use water. Place activities on the timeline to show when you use water through the day.





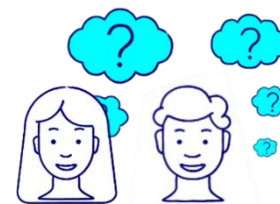
# Think, pair, share

Write or draw.

What do I think?



What does my partner think?



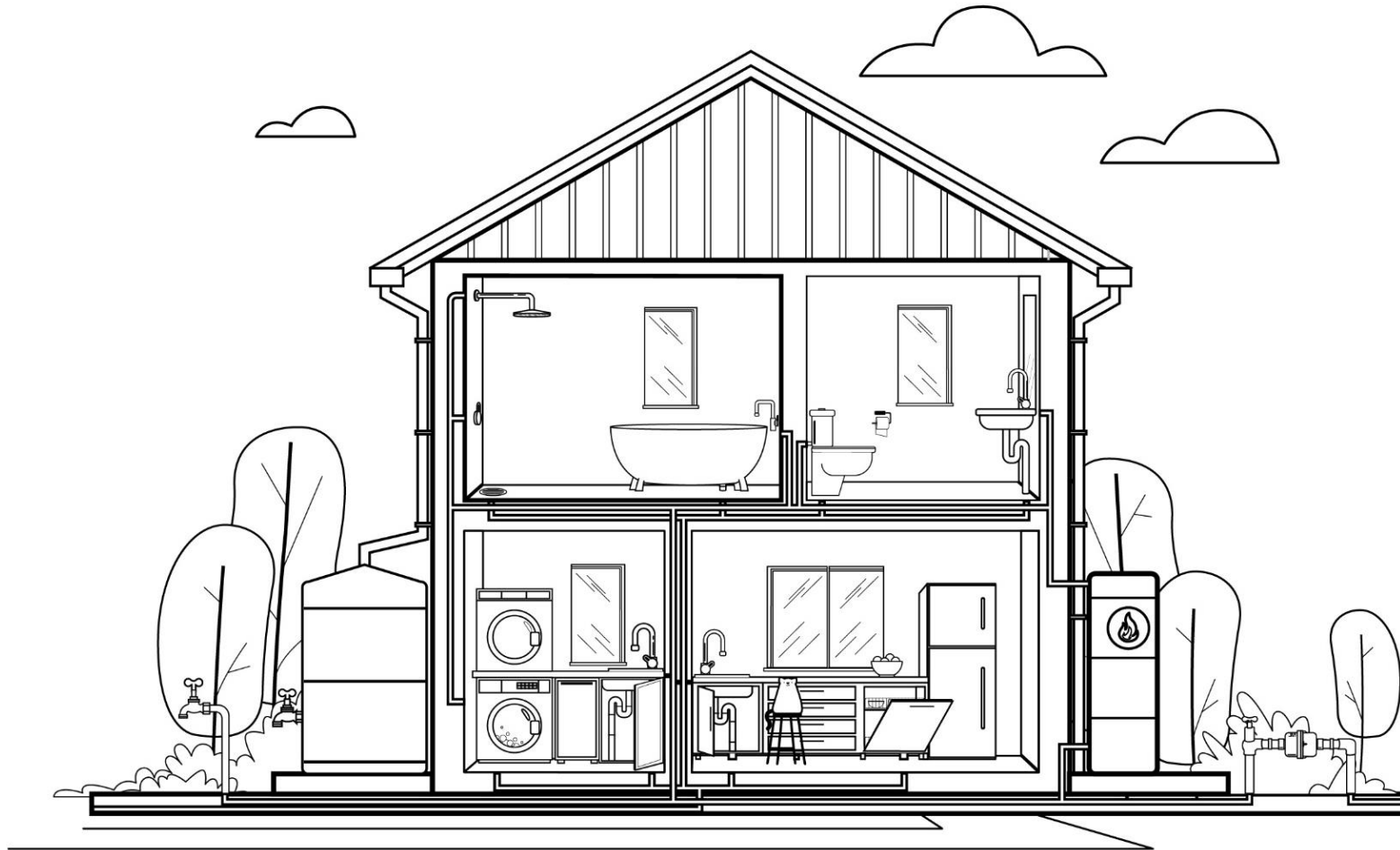
What is similar or different?

What can I share with my class?

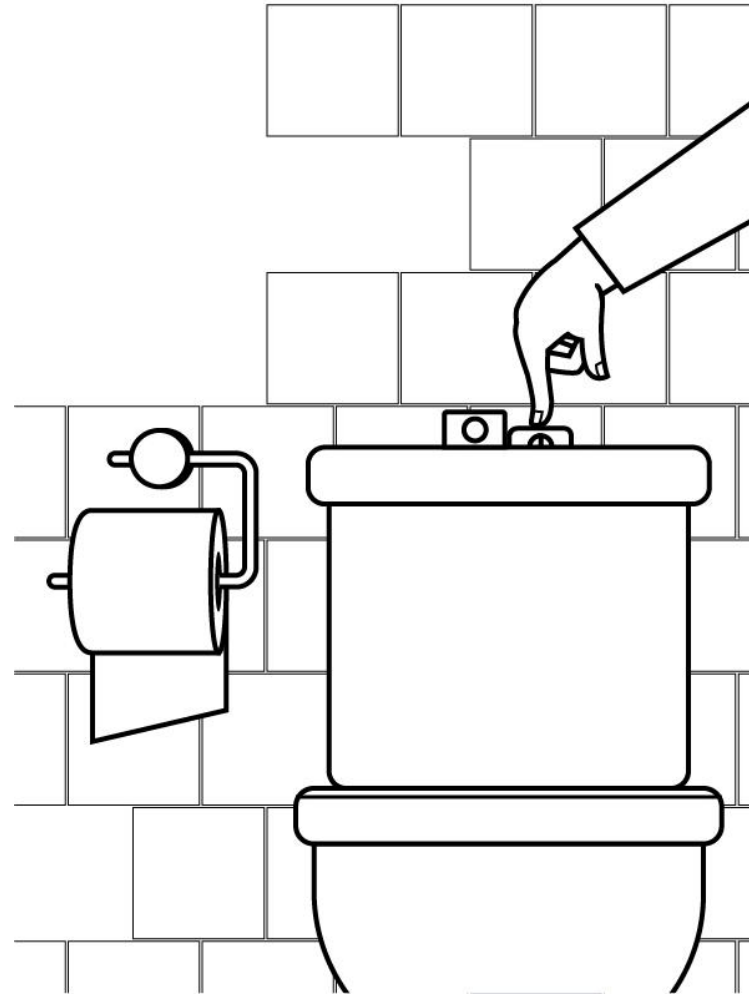
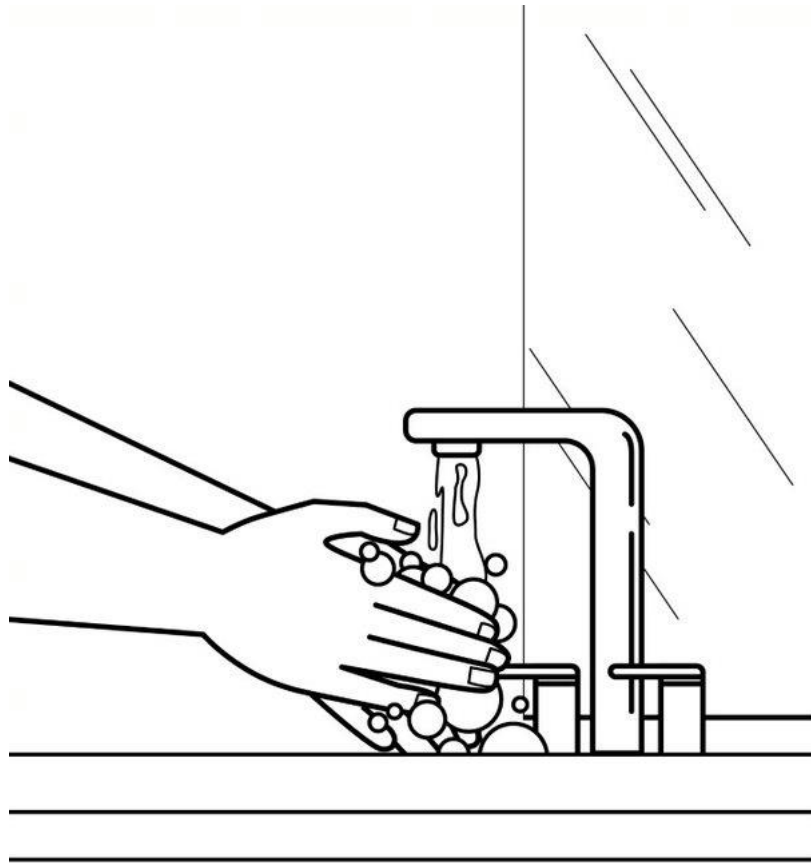




# How do you use water in your home?



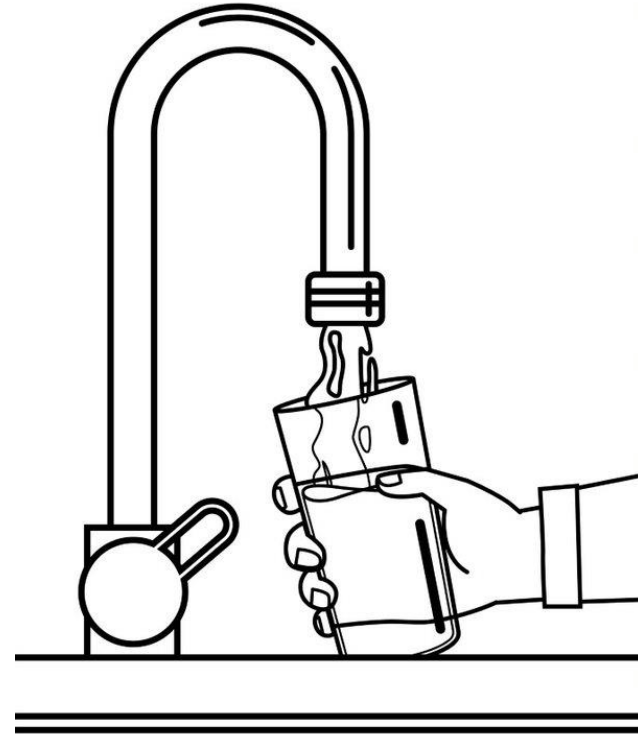
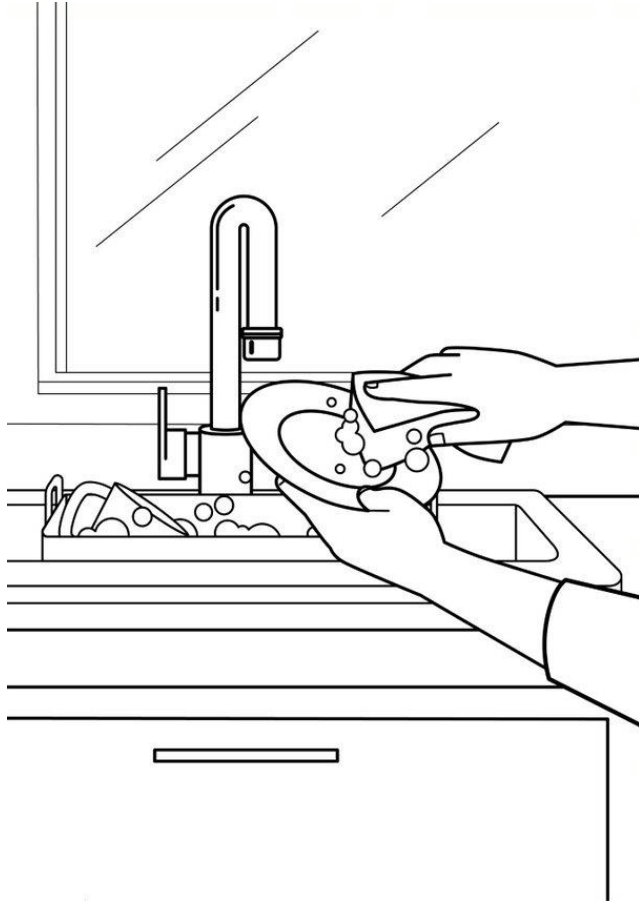
# Do you use it for...



Do you use it for...



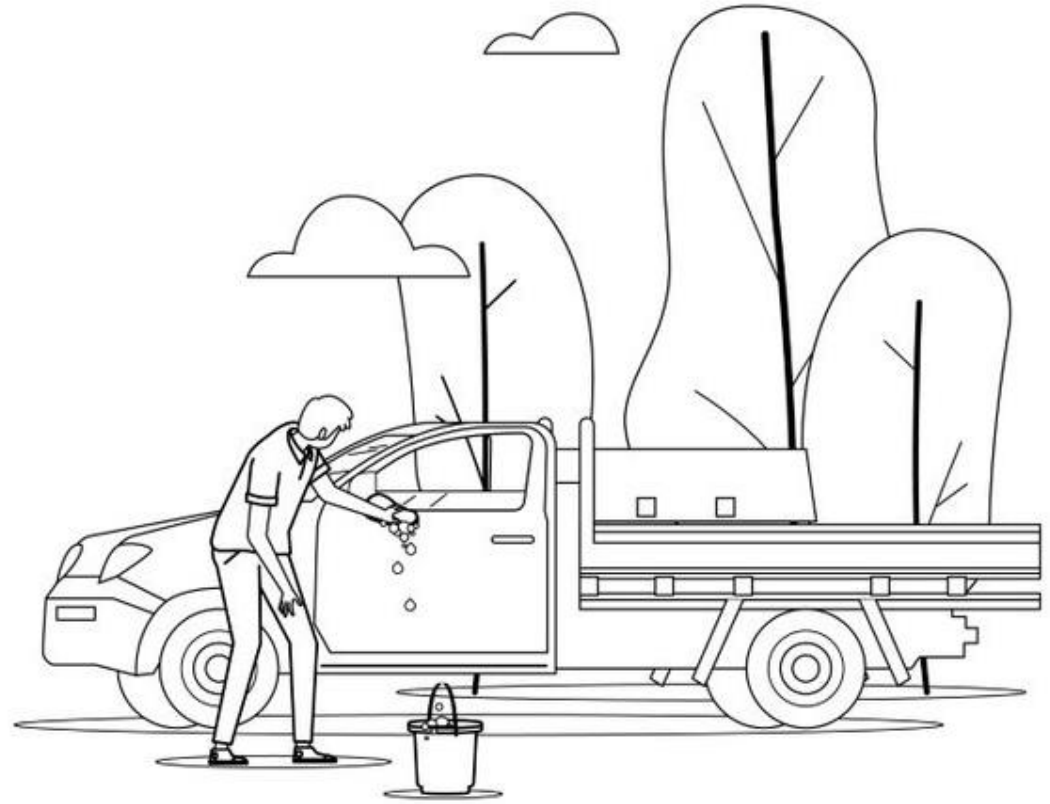
Do you use it for...



Do you use it for...

Module 6: Using water well. Learning resource adapted with permission from an original learning resource by Sydney Water Corporation © 2021.





Do you use it for \_\_\_\_\_



Are there other ways you use water?

# My water savings plan



I plan to save water by



How I will do it

When I will do it

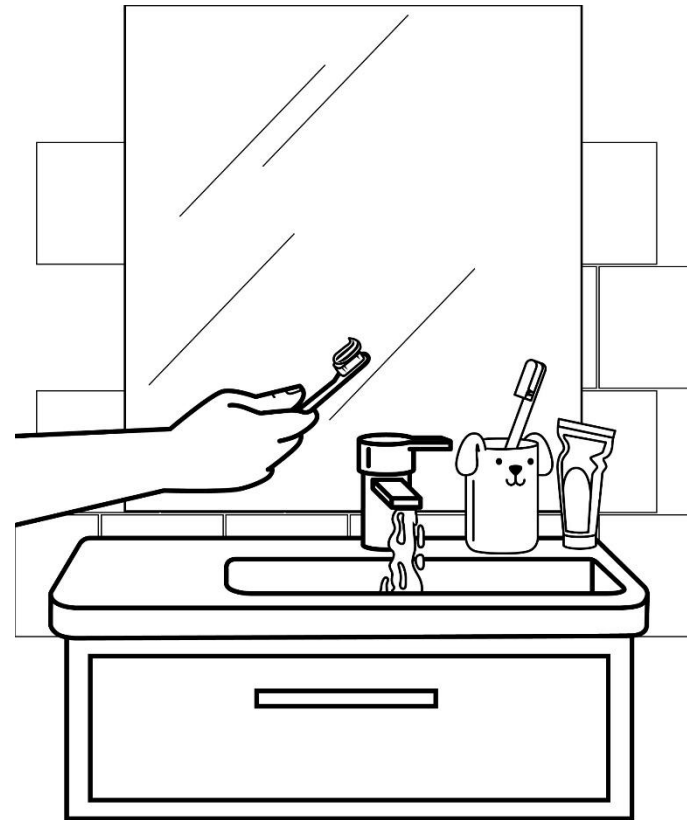


Who will do it

# Which saves water?

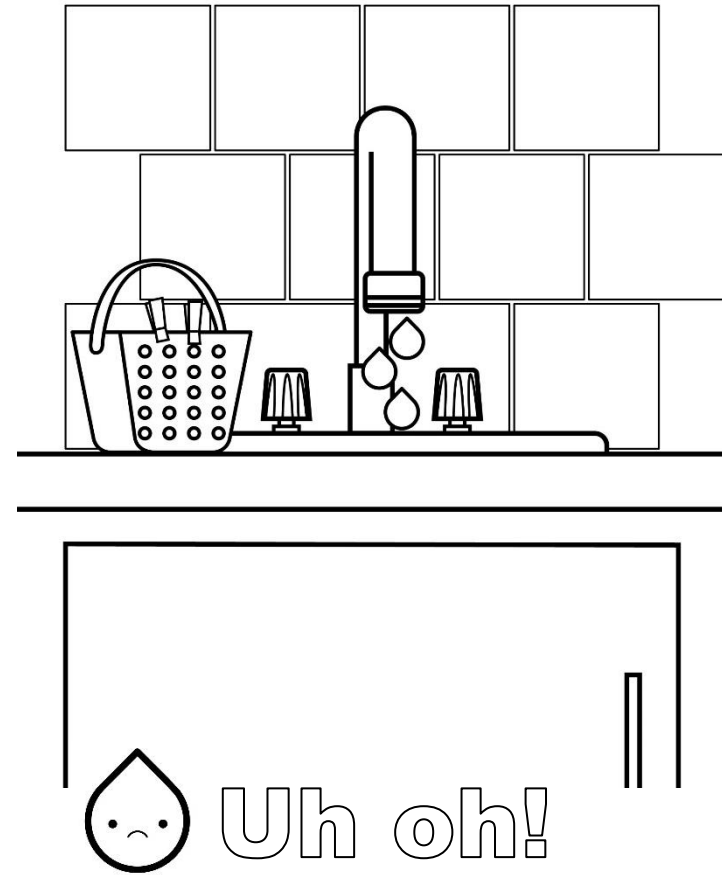
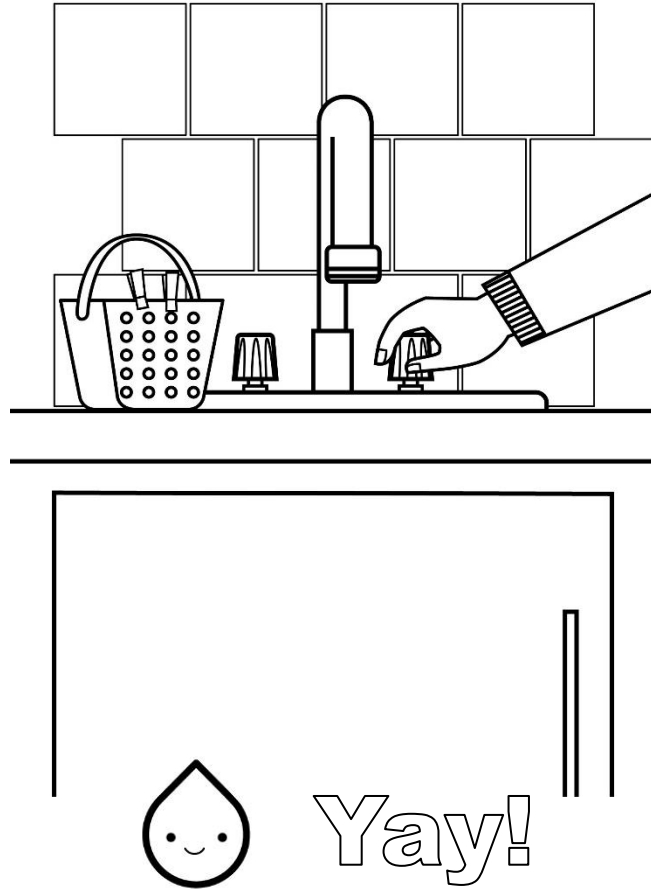


Yay!



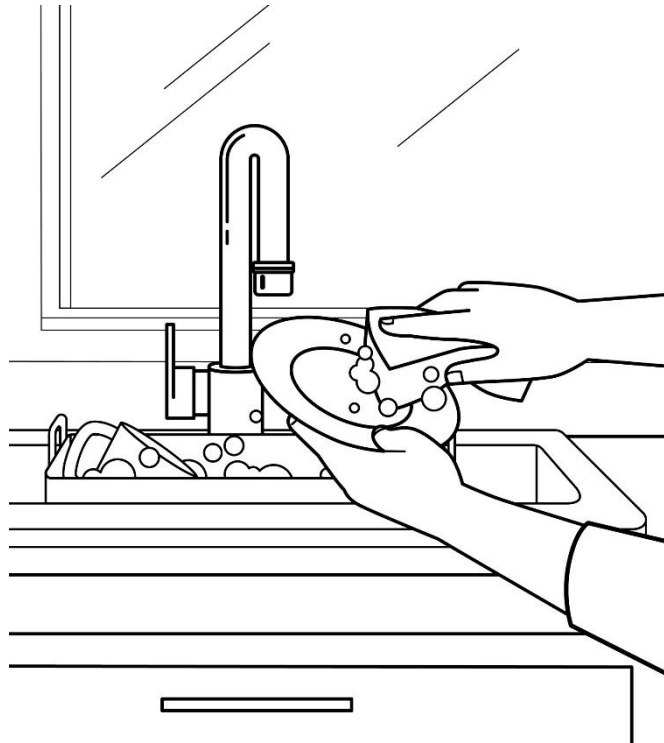
Uh oh!

# Which saves water?

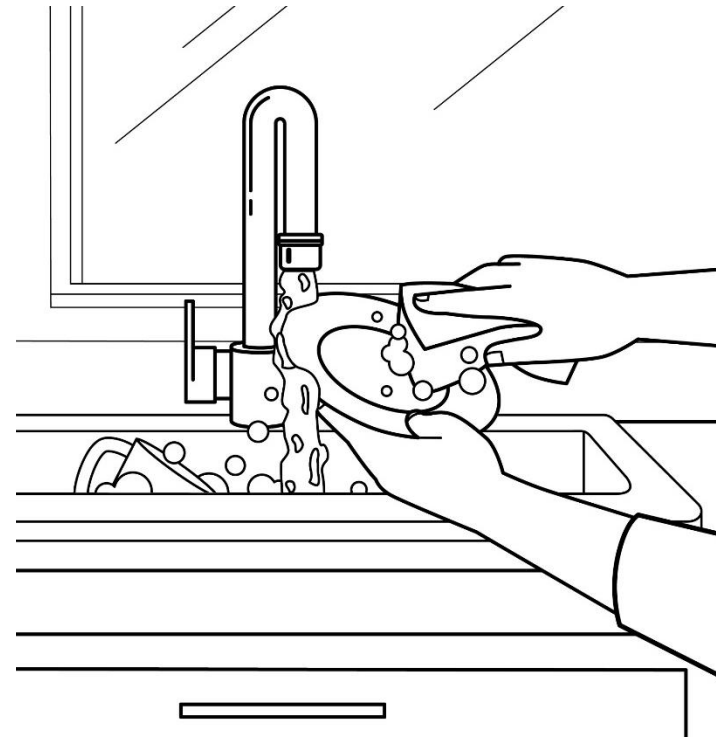




# Which saves water?



Yay!



Uh oh!

# Can you draw your own?



# School mini water audit

Count the number of water devices and record if any are broken or leaking.

Devices that use water in our school		My area is _____									
Water devices		Number of devices					Number broken or leaking				
<b>Toilet</b> 											
<b>Urinal</b> 											
<b>Bubbler</b> 											
<b>Tap</b> 											
<b>Hot water heater</b> 											
<b>Shower</b> 											
<b>Others</b>											
<b>Group Total</b> 											

## Questions

1. Which water device did you count the most?

---

2. Write and solve a word problem using the information in your graph.

The number of \_ \_ \_ \_ \_ is more than the number of \_ \_ \_ \_ \_ .

1. Which water device had leaks or was broken?

---

2. What can you do if you see a leak?

---

3. How can you help save water at school?

---

# Home water audit

Count the number of devices in your home. Check if they're broken or leaking.

Devices that use water in my home			
Water devices	Tally	Total number	Any broken or leaking (yes or no)?
Toilet			
Indoor tap			
Shower			
Bathtub			
Washing machine			
Hot water heater			
Outdoor tap			
Other			
Total (all) devices			



Tally the number of times you do each water activity during a day.

<b>My water diary – How many times do I use water?</b>		
<b>Water activity</b>	<b>Tally</b>	<b>Total number</b>
Washing hands		
Flushing the toilet		
Brushing teeth		
Taking a shower		
Washing clothes		
Having a bath		
Washing dishes		
Watering the garden		
Washing the car		
Cleaning		
Other		
<b>Total (all) water activities</b>		

## Questions

Which activity did you do the most?

---

Which do you think used the most water?

---

Is there one activity that you could change to use less water?

---

## Water droplets

